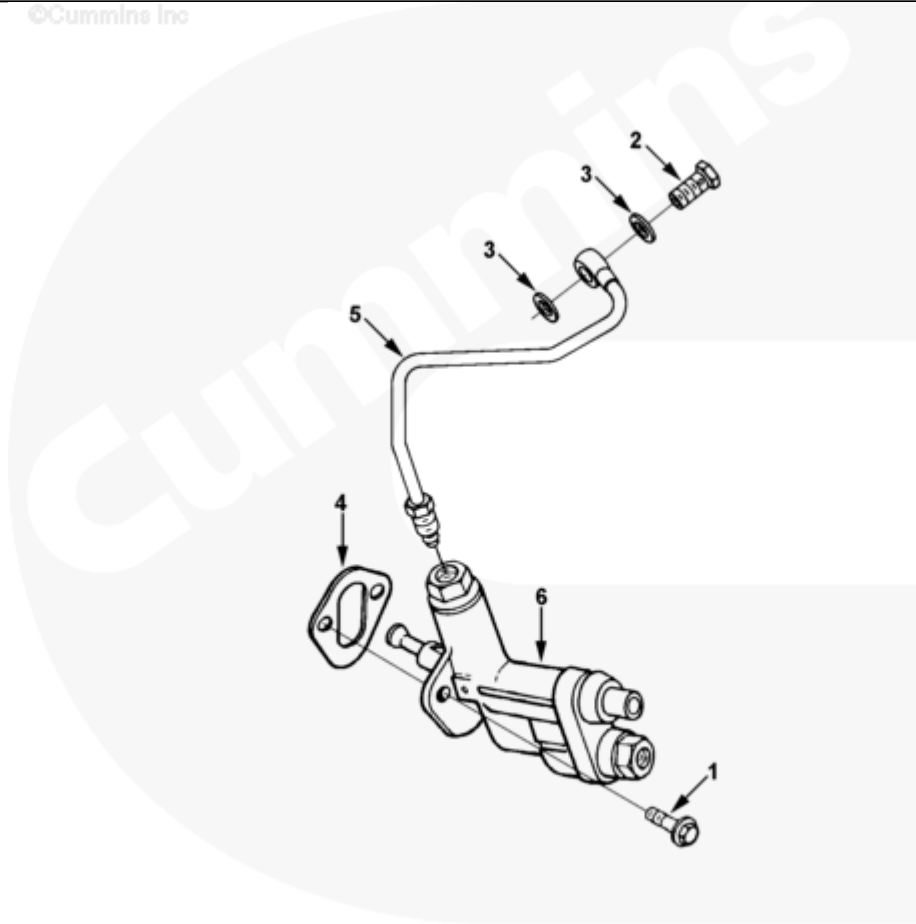




Parts Catalog - Option Detail

Electronic Parts Catalog - Option Detail				
Option	Group	Graphic	Film Card	Date
FS9006	05.19	fs900gl	Z	04-OCT-96
Engines	6C8.3, C GAS PLUS CM556, G8.3, G8.3 CM558, GTA8.3 CM558, ISC CM2150, ISC CM554, ISC CM850, ISC8.3 CM2250, ISC8.3 G CM2180 C101, ISL CM2150, ISL CM554, ISL CM850, ISL G CM2180, ISL8.9 CM2150 L110, ISL8.9 CM2880 L112, ISL9 CM2150 SN, ISL9 CM2250, ISL9 CM2350 L101, ISL9 CM2350 L111, ISLE4 CM850, L GAS PLUS CM556, L8.9, L8.9 L121, L8.9G CMOH2.0 L125B, L9 CM2350 L116B, L9 CM2350 L119B, L9 CM2350 L120C, L9 CM2350 L123B, L9.3 L105, L9.5 L117, L9N CM2380 L124B, QSC8.3 CM2250, QSC8.3 CM2880 C102, QSC8.3 CM554, QSC8.3 CM850(CM2850), QSL9 CM2250, QSL9 CM2250 L115, QSL9 CM2350 L102, QSL9 CM2350 L107, QSL9 CM2350 L118, QSL9 CM2350 L122, QSL9 CM554, QSL9 CM850(CM2850), QSL9 G CM558, QSL9 M CM2250 L106, QSL9.3 CM2880 L113			



fs900gl

[SMALL](#) | [MEDIUM](#) | [LARGE](#)

Cart	Ref No	Part Number	Part Description	Required	Remarks
View My Cart					
		FS9006	Fuel System Accessories		MR - ACCESSORIES, FUEL SYSTEM... (More)

					Structure Code: 02 EBM
					Pump Style: Piston
					Pump Operation: Mechanical
					Pump Supplier: Cummins
					Pump Measured Flow
					(Liters/Min): 89-113
					Pump Measured Flow RPM: 1250
					Fuel Inlet Size: 1/4-18 NPTF
					Filter Location: Under head
					cylinder #5
					Cylinders: 6
					Engine Family: C Series
<input type="checkbox"/>	1	3900630	Hexagon Flange Head Cap Screw	2	M8 X 1.25 X 20
<input type="checkbox"/>	2	3916361	Banjo Connector Screw	1	M12 x 1.50 x 24
<input type="checkbox"/>	3	3903037	Sealing Washer	2	12mm
<input type="checkbox"/>	4	3931348	Cover Plate Gasket	1	
<input type="checkbox"/>	5	3906790	Fuel Supply Tube	1	
<input type="checkbox"/>	6	3932226	Fuel Transfer Pump	1	
<input type="checkbox"/>		3920544	Service Parts Kit	1	Includes check valve,gaskets
					and o ring seals.